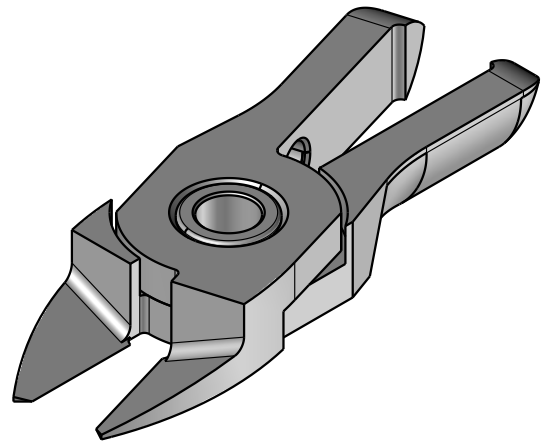
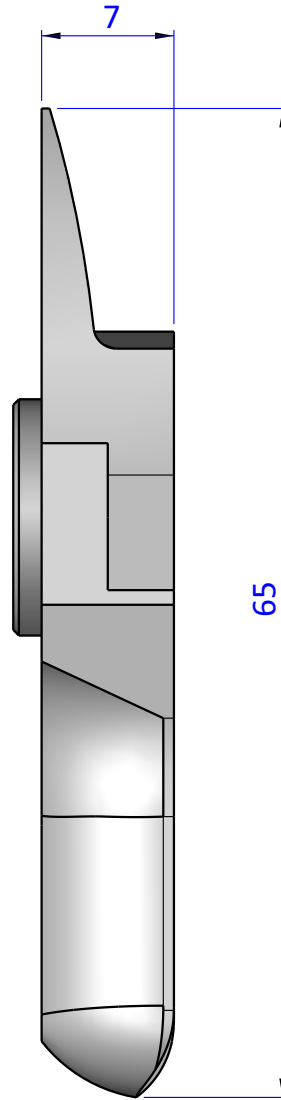
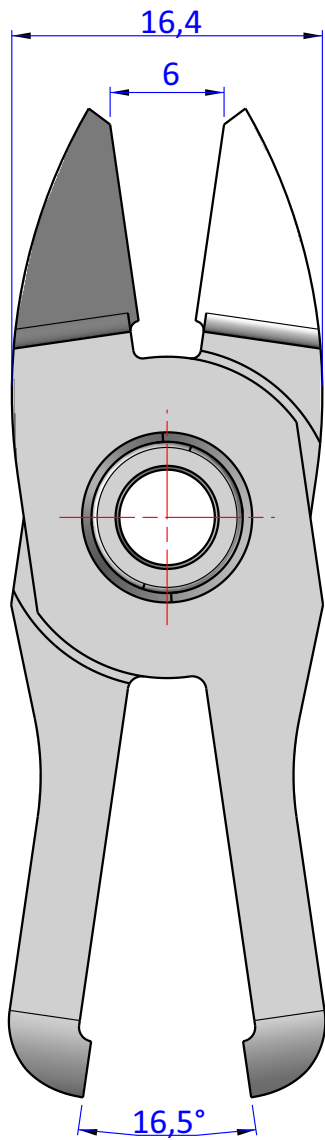


THE PROPERTY OF THE DRAWING IS ESTABLISHED BY LAW. IT IS FORBIDDEN TO PRODUCE OR SHOW IT TO THIRD PART. WITHOUT A WRITTEN AGREEMENT.



| | | |
|--|--------------------------|--------------------|
| DESIGNED FROM FPS Automation | | REVIEW A |
| DATE 27/10/2020 | WEIGHT 0,029kg | |
| CODE VES.NY05AJT | | |

Format **A4**

UNI 936-76

GENERAL TOLERANCE

UNI - ISO 2768

CLASSE **f**

DESCRIPTION

VES.NY05AJT